

JVS-N518-ZDL

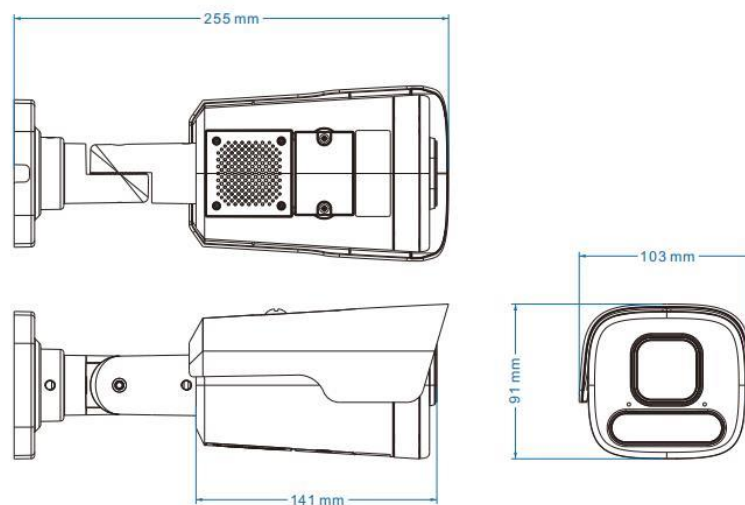
5.0MP Motorized Zoom Full-Color Video & Audio AI Network Camera



Features

- Motorized Varifocal Lens (2.7-13.5mm) for easy installation and monitoring
- 24/7 Full-Color with Dual Smart Illumination
- Human, Vehicle, and Pet Detection, Leave Detection, Road Occupation Detection based on AgiSense Technology
- Built-in Mic and Speaker
- With VQC Technology
- Support SD Card (Up to 512G)

Dimension



Specifications

Video	
Image Sensor	1/3" CMOS
Max Resolution	2560x1792
Effective Pixels	5.0MP
Compression Standard	H.264/H.265+
Framerate	30fps
Bitrate	Main Stream: 256Kbps ~ 4096Kbps Sub Stream: 68Kbps~1024Kbps Third Stream: 68Kbps~1028Kbps
SNR (dB)	≥50dB
Min. Illumination	0Lux (light ON)
Lens	
Lens	Varifocal Lens, Motorized Lens, 2.7mm-13.5mm
Focal lens & FOV	2.7mm-13.5mm Horizontal FOV: 101.4° to 26.9° Vertical FOV: 53.6° to 15.2° Diagonal FOV: 118.7° to 30.5°
Function	
Audio Codec	G.711U/G.711A (default)
Exposure Control	Auto
White Balance	Auto
Gain Control	Auto
Digital 3D Noise Reduction	Support
OSD Information Setting	By default: The customized OSD supports a maximum of six lines, each line contains a maximum of 32 characters. One Chinese character is counted as two characters
SNTP	Support
Schedule Reboot	Support
Smart Defog	Support
Smart Motion Detection	Support (Human, Vehicle, Pet)
Image Setting	Support Saturation, Brightness, Contrast, Sharpness adjustment
Image Style	Standard, Soft, Transparent
Day and Night Function	Auto, Always Black & White, Always Color, Scheduled Color
Privacy Mask	Support up 8 areas
Night Vision Optimization	Support
WDR	120dB
Screen Settings	Screen mirroring, Screen flipping
IP Adaptation	Support automatic adaptation of IP address (Optional)
Intelligent Analysis	Support Leave Detection, Road Occupation Detection
Alarm Method	Email Alarm, Client Alarm
Remote Operation	System, Audio and Video, Image, Alarm, Network management, Storage management, Intelligent Analysis
Audio Function	Built-in Mic and Speaker
SD Card	Support (512G)
Peripheral Extension Interface	Audio Input/Output, Alarm Input/Output
Network	
Ethernet	10/100Mbps Ethernet
Stream	3x Streams
Network Protocols	HTTP, TCP/IP, UDP, ICMP, RTSP, RTP, RTCP, SMTP, DHCP, DNS
Access Protocol	Standard ONVIF, Public Cloud
Network Transmission	CloudSEE 2.0
Fusion Cloud Platform	Support
Browser	IE8+, Chrome18+, Firefox5.0+, Safari5.02+
User	Up to 13 Users
App	Support iOS/Android
General	
Lights	4 Warm Light LEDs + 4 IR LEDs
IR Distance	IR: Up to 80 Meters Warm Light: Up to 60 Meters
Waterproof Level	IP67
Power Supply	DC12V/2A or PoE
Power Consumption	<6W (During Day); <12W (At Night)
Working Temperature	-30°C ~ +60°C
Working Humidity	10% ~ 90% Rh
Color/Material	Black and White/Metal+Plastic
Dimensions (WxHxD)	103x91x255mm
Weight	732g
Installation Method	Wall or Ceiling Mount